

TRQ™ INTRODUCTION

Congratulations on the purchase of your new PENN TRQ Star Drag reel. Each PENN TRQ reel is made with pride in the U.S.A. using only the highest quality components, tapping into PENN's 75-plus years of reel building experience. This heavy duty reel is perfect for a number of inshore and offshore fishing applications. Some features found on the PENN TRQ Star Drag are highlighted throughout this manual. Also found in this manual are tips for basic maintenance and upkeep of your new fishing reel. On behalf of the entire company, PENN Fishing Tackle would like to thank you for the purchase of our quality fishing reel.

WARRANTY AND NON-WARRANTY SERVICE

For non-warranty service to your PENN reel, simply return the reel with a brief note describing the service you want performed. Available on the PENN website (www.pennreels.com) is a repair form that we suggest is completed and returned with each reel for more efficient processing. PENN strives to complete all repairs in a timely manner.

PENN will not initiate service until a means of payment is arranged. Accepted means of payment include only the following credit cards: Mastercard, Visa, American Express, and Discover. COD, personal checks, or cash are not accepted.

Please visit our website www.pennreels.com for warranty information

PENN Fishing Tackle Mfg. Co.,
Philadelphia, PA U.S.A.
www.pennreels.com
PEN-252-TRQSTAR-ver1
1/2011

HOW TO ORDER PENN REEL PARTS

1. Call the PENN Parts Department at (800) 892-5444 between 8:30 am and 4:30 pm U.S. East Coast time to order your PENN Parts over the telephone. Accepted means of payment include only the following credit cards: Mastercard, Visa, American Express, and Discover. COD, personal checks, or cash are not accepted.

2. PENN Parts may also be ordered through PENN's local dealer network. Check your telephone directory for a PENN Dealer near you, or visit PENN's website at www.pennreels.com to locate a nearby dealer.

PENN Fishing Tackle Mfg. Co. reserves the right to discontinue models and make changes in design specifications without notice. PENN's policy of ongoing research may necessitate design changes for Product performance improvement.

**Order Parts Online! ~ We ship to entire USA
and some International locations**

www.PENNparts.com

CARE AND LUBRICATION

Your PENN Reel is quality manufactured for maximum durability. Like any other precision-made piece of equipment, reasonable care will ensure peak performance and longevity.

After each fishing trip, the reel should be cleaned with a soap solution and fresh water, preferably warm, to remove any accumulated salt deposits.

When washing the reel, use caution not to use a driving force of water, since the water pressure will force salt deposits and/or sand into the reel. A very fine spray will help dissolve the salt on the external parts of the reel and rinse it from the reel.

Dry excess moisture from the reel and then sparingly lubricate all exposed areas. A good practice is to spray a rag with a pressurized spray lubricant and wipe down the reel with the rag. Your reel should be stored in a cool, dry place. Do not store in a plastic bag, as condensation may develop.

Periodically examine your reel and tighten loose screws and fittings. Depending upon use, your reel should be overhauled at least once every season.

Frictional points in the reel should be frequently lubricated, and for best results use PENN lubricant. PENN's lube is the right formula, designed specifically for PENN Reels. Keep in mind, that a few drops of oil is usually sufficient.



FEATURES

PENN VERSA-DRAG™ • NOW ON TRQ SERIES REELS



• **Gearing.** Precision machined Stainless Steel main and pinion gears create an incredibly strong gearing system built for years of service and performance. Gear ratio of 6 to 1 is the perfect blend of speed and torque. For extra cranking TRQ Versa-Gear 5.4:1 and 4.8:1 kits are available. See other side for details.

• **Stainless Steel Ball Bearings.** High-quality, shielded, stainless steel ball bearings are incorporated into the TRQ series reels. Unlike gimmicky, unshielded bearings that clog with contaminants and salt buildup, Penn's high grade stainless steel ball bearings were designed for performance in a marine environment. There are 7 ball bearings in each TRQ Star Drag reel.

• **Aluminum Spool.** The forged aluminum spool is lightweight and strong, and the anodized finish provides the ultimate in corrosion resistance for season after season of hard fishing. A knurl on the spool arbor grips line to prevent it from rotating relative to the spool.



• **Live Spindle.** Both the spool and spindle may rotate independently from the drive train and the frame thereby reducing friction during casting and eliminating binding during retrieve.



• **Line Capacity Rings.** Flanges of the spool are machined with 3 lines indicating approximate spool capacities of 1/3, 2/3 and full.

• **Aluminum Frame.** Lightweight and strong, the open-topped anodized aluminum frame allows easy access to the spool for live-bait fishing.

• **Handle.** The Soft-Grip handle provides a secure grip, even when hands are wet. Handle has two positions for either speed or power.

• **Instant Anti-reverse.** TRQ reels feature an instant anti-reverse with dual backup dogs to eliminate handle backlash and provide positive drag engagement.

• **Stand and Rod Clamp.** Light Weight, anodized aluminum stand and a molded-graphite, one-piece rod clamp combine for an extra measure of strength and security of joining reel to rod.

• **Eccentric Lever.** Solid, positive action allows easy shifting. Push eccentric lever forward to put reel in gear, pull backward to put reel in free spool.

• **Star Drag.** Stainless steel and HT-100 Versa Drag System for smooth, dependable performance. Turn five point star wheel clockwise for more drag, counter-clockwise for less. Features audible click.



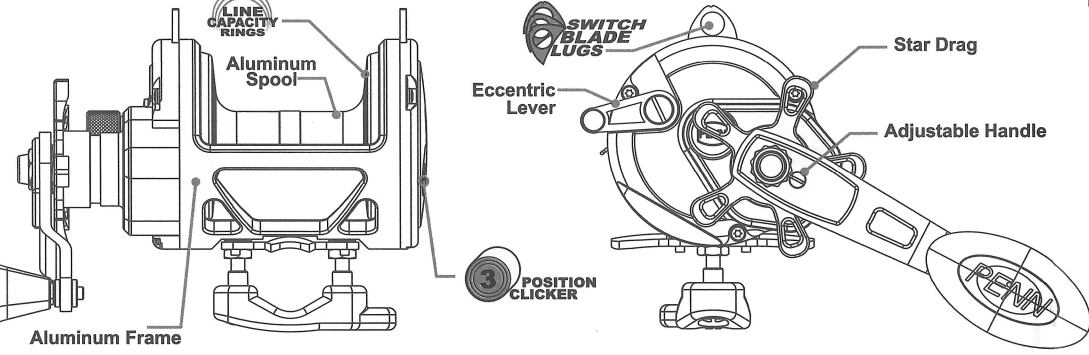
• **Versa-Drage.** By rearranging the sequence of the keyed metal washers and eared HT-100 washers the reel can be set up for fishing a wide range of drag settings without additional parts.



• **3-Position Click Warning Device.** Push click button away from reel center to turn off. Push progressively button toward reel center for light and heavy settings.



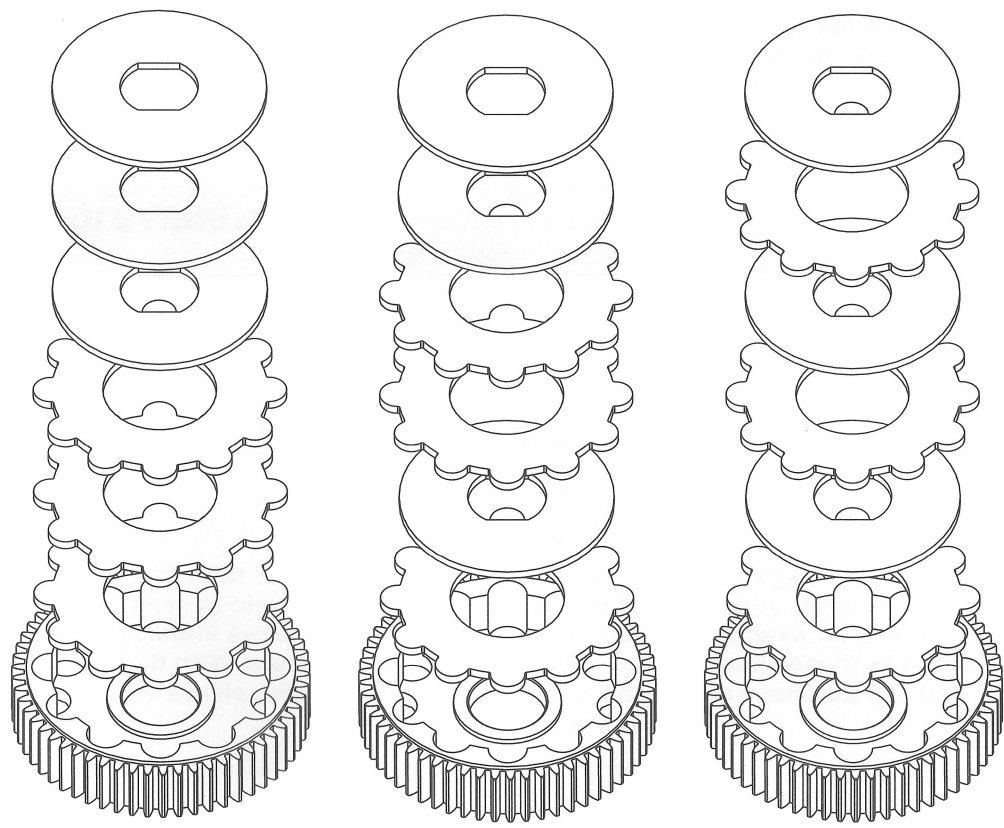
• **Switchblade Folding Harness Lug.** (TRQ40 only) Harness lugs are folded out of the way until they are needed. Exposed notches allow them to be folded up for strapping in to fight fish with the aide of a harness.



Congratulations on the purchase of your new TRQ reel. This reel series incorporates all of the latest developments in manufacturing techniques and materials for superb on-the-water performance.

In your new TRQ series reel you will find the Versa-Drage™ system, which allows you to pre-adjust the drag range before fishing. By rearranging the sequence of keyed metal washers and eared friction washers, you can obtain a light, medium or heavy drag range. See illustration below.

To access the drag, use the exploded view in the owner's manual as a guide. Remove the right side plate and handle assembly to access the drag washers. Work in an organized and well-lit area, and pay attention to the order in which you remove the parts. When reassembling, tighten all screws firmly, but do not over tighten and risk stripping the threads.



LEVEL 1

- Light Drag Range
- up to 6 lbs.

LEVEL 3

- Medium Drag Range
- 6-12 lbs.

LEVEL 5*

- Heavy Drag Range
- over 12 lbs.

*** All TRQ reels are shipped from the factory in the heavy drag range.**

Loading Line

First mount your reel to your rod and attach rod clamp hardware. The round heads of the rod clamp screws are inserted into the round cutouts in the stand, with milled flats facing the square stand cutout. Move the screws outward until the flats machined into the underside of the rod clamp screw heads contact the stand square stand cutouts. Next, the hex nuts should be threaded onto the clamp screws to hold the screws in place on the stand. Finally assemble the clamp and the clamp nuts. Tighten them snugly but do not overtighten. Two lengths of clamp screws are included with the TRQ12 and TRQ15 reels. Select the screws appropriate for the reel seat you are mounting your reel to.

You can use any type or combination of line on your reel. Line capacity will vary depending on factors including line type, line brand, how tightly the line is wound onto the reel, and how full the spool is filled. Lines machined in the spool flanges indicate the recommended maximum fill diameter. Filling only to this diameter will prevent line from rubbing on the reel if it is not wound evenly on the spool, as often happens when fighting a fish.

How you tie the line on to your spool is a matter of personal preference, as the knurled arbor will keep the line from spinning on the spool. Load the line using a maximum tension of 10% of the line strength for mono and 20% of line strength for braid. Criss-crossing the line every few layers is advised to keep the line from "burying" itself under the force of a big fish.

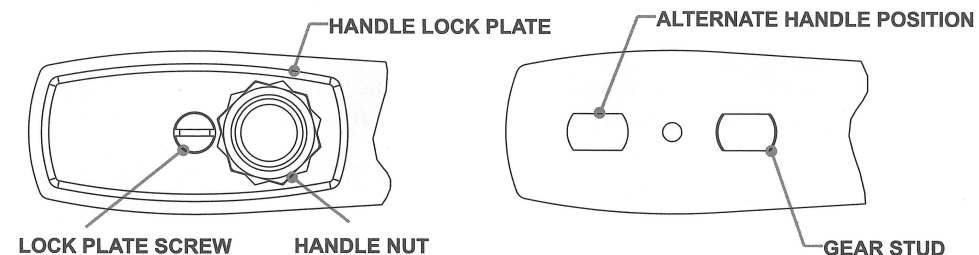
Drag Setting

The star drag of your TRQ Reel should be adjusted so that with the eccentric lever pushed forward to engage the clutch the drag will slip when line is pulled with a force between 1/4 and 1/3 of the lines breaking strength. This lower setting builds in a good safety margin in case there are any weak links in your line or terminal tackle. Nicks, frays, general line wear and even knots can reduce the line's strength. Also, additional load is placed on the line as it is pulled through the water by a large fish.

Cast Control Setting

Your PENN TRQ Star Drag reel has a spool tension knob that can be adjusted to help achieve backlash-free casting. This knob is a mechanical control. It contains a soft rubber pad and a bronze washer with exerts various degrees of pressure on the spindle, depending on your setting. For maximum spool freeness the knob should be adjusted so spool end play is barely discernable. If some cast control is needed a good starting point can be determined by attaching a lure or weight representing the approximate weight you will be casting to the end of your line. Hold the rod at an angle just above horizontal and put your TRQ reel in free spool. Allow the weight to fall to the ground and adjust the spool tension control so that the weight falls easily and will not backlash. Now try a cast suitable to your type of fishing. There are many different casting techniques that vary according to regions, conditions, and species sought. If you feel that the TRQ's spool tension knob is set to tightly and your casting distance is hampered, loosen the tension knob. Depending on the nature and style of your particular casting, some trial and error casting and adjustment sequences are recommended to achieve backlash-free casting.

The length of the TRQ Star Drag handle can be adjusted in order to vary the amount of torque that can be applied to the reel. The longer handle position will reduce the force needed to turn the handle, but will reduce the speed that the handle can be turned. To change the handle position first remove the lock plate screw and then the handle lock plate. Next remove the handle nut and shift the gear stud to the alternate position in the handle blank. Replace the handle nut and tighten until is snug on the handle blank. Be sure that the threads are aligned by checking that the nut is straight, as it is easy to misalign them because the stud threads are interrupted by flats. Check the orientation of the handle lock screw holes in the handle and lock plate and tighten the handle nut as needed to align the two holes. Be careful not to overtighten the handle nut. Replace the lock plate screw.



Our TRQ star drags come from the factory with a 6.0:1 gear ratio for rapid line retrieve. However you may find the need for a lower gear ratio in certain fishing situations, for example: bottom fishing where power is more important than speed. For these situations we offer our Versa-Gear system. With this system you can purchase and easily install a 5.4:1 or 4.8:1 ratio, please visit our website for dealer information.

RETRIEVE RATE

MODEL#	6.0:1	5.4:1	4.8:1
TRQ12	28" 711mm	25" 635mm	23" 584mm
TRQ15	28" 711mm	25" 635mm	23" 584mm
TRQ25	32" 813mm	29" 737mm	26" 660mm
TRQ30	40" 1016mm	36" 914mm	32" 813mm
TRQ40	40" 1016mm	36" 914mm	32" 813mm