

www.PENNparts.com

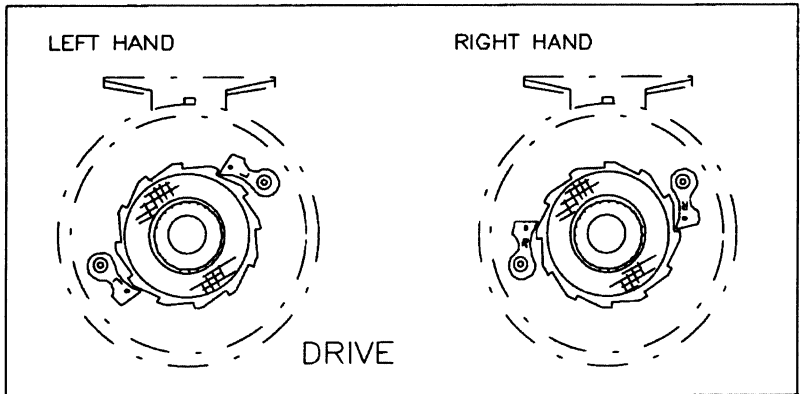
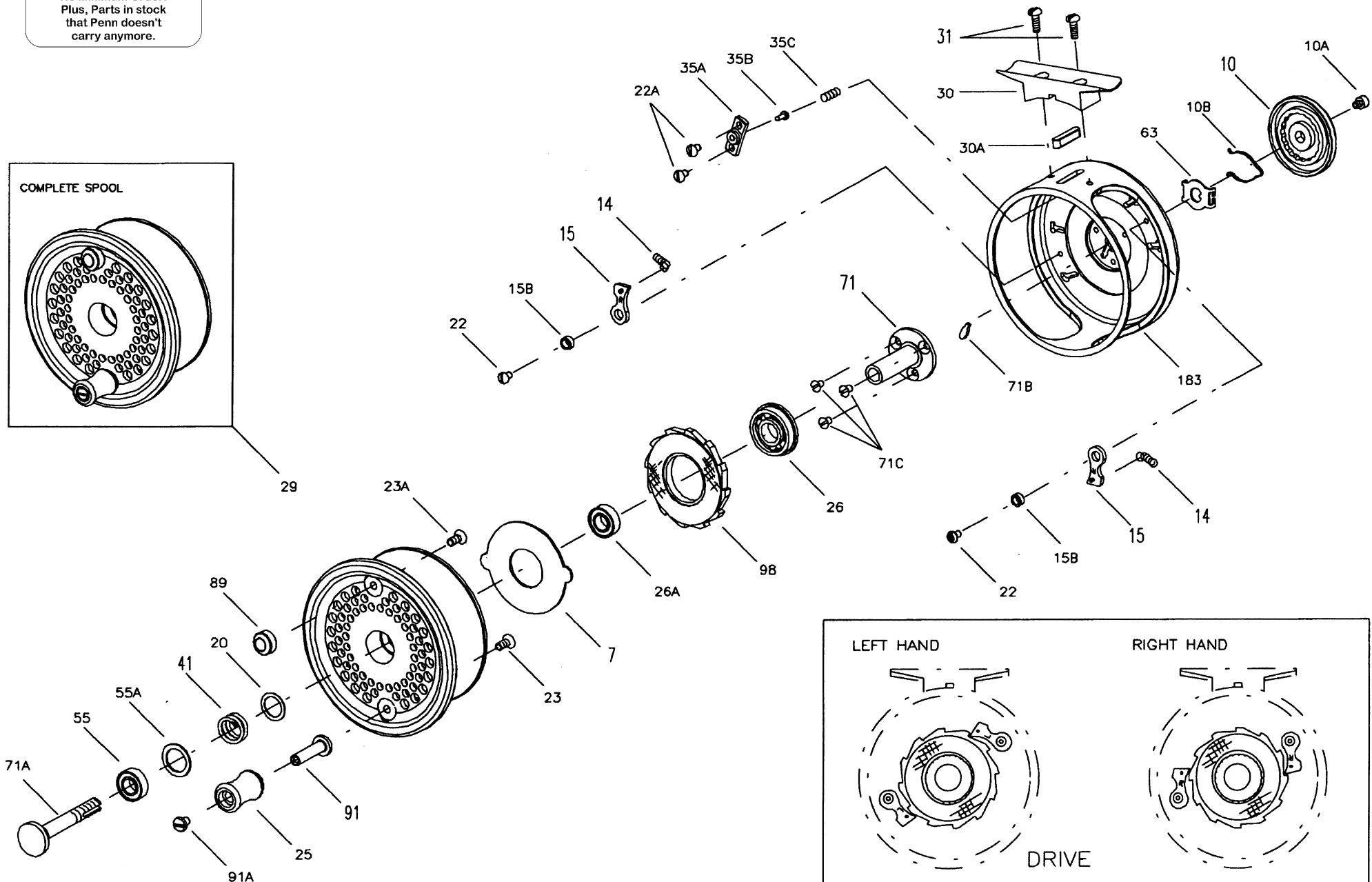
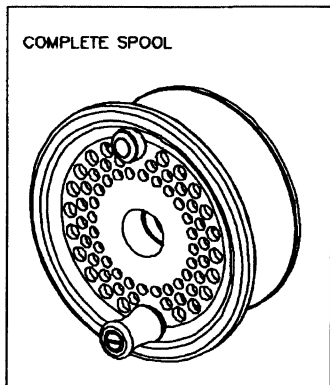
Scott's Bait & Tackle

Penn Parts Dept.
945 Radio Road
Tuckerton NJ 08087
(609) 296-1300

No Minimum Order!
Plus, Parts in stock
that Penn doesn't
carry anymore.



Penn Schematic 4G



Penn Reel Parts list for:

Model: 4G Fly Reel

KEY PART

NO	NO.	DESCRIPTION
7	7-4FR	METAL DRAG WASHER
10	10N-2.5FR-G	DRAG KNOB
10a	10A-2.5FR	RETAINING SCREW
10b	10B-2.5FR	DETENT SPRING
14	14-500	DOG COIL SPRING (2 REQ.)
15	15-4FR	DOG (2 REQ.)
15B	15B-2.5FR	DOG BUSHING (2 REQ.)
20	20-4FR	SPOOL THRUST WASHER
22	22-2.5FR	DOG SCREW (2 REQ.)
22A	22-2.5FR	CLICK HOUSING SCREW (2 REQ.)
23	23-2.5FR	HANDLE POST SCREW
23A	23A-2.5FR	COUNTER BALANCE SCREW
25	25-4FR	HANDLE KNOB
26	26-2.5FR	FLANGE BEARING
26A	26A-2.5FR	BALL BEARING (INNER)
29	29L-4FR-G	SPOOL ASSEMBLY (COMPLETE)
30	30-4FR-G	STAND
30A	30A-2.5FR	STABILIZER BAR
31	31-2.5FR	STAND SCREW (2 REQ.)

KEY PART

NO	NO.	DESCRIPTION
35A	35A-2.5FR	CLICK HOUSING
35B	35B-2.5FR	CLICK PIN
35C	107-60	CLICK PIN SPRING
41	41-4FR	DRAG COIL SPRING
55	55-320	BALL BEARING (OUTER)
55A	55A-2.5FR	BEARING WASHER
63	63-2.5FR	SPRING RETAINER
71	71-2.5FR	SPINDLE (#4)
71A	71AN-4FR	SPINDLE STUD
71B	71B-2.5FR	SPINDLE LOCK KEY
71C	71C-2.5FR	SPINDLE SCREW (3 REQ.)
89	89-4FR	COUNTER BALANCE
91	91-4FR-G	HANDLE POST
91A	91A-2.5FR	HANDLE SCREW
98	98-4FR	DRAG WASHER/RATCHET
183	183N-4FR-G	FRAME

NOTE: Many of www.pennparts.com schematics include changes that were either made by Penn, or errors found and corrected by our parts dept.
SBT Ver. 092212