

www.PENNparts.com

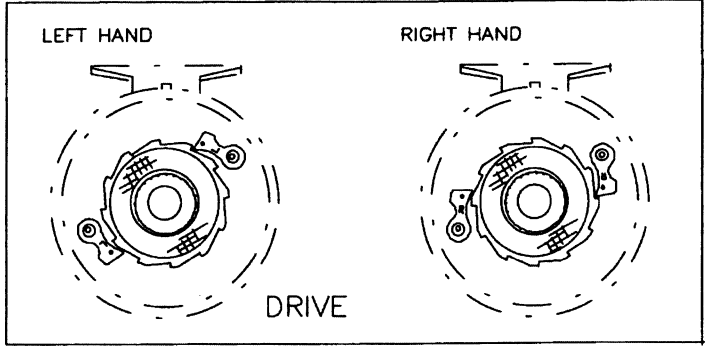
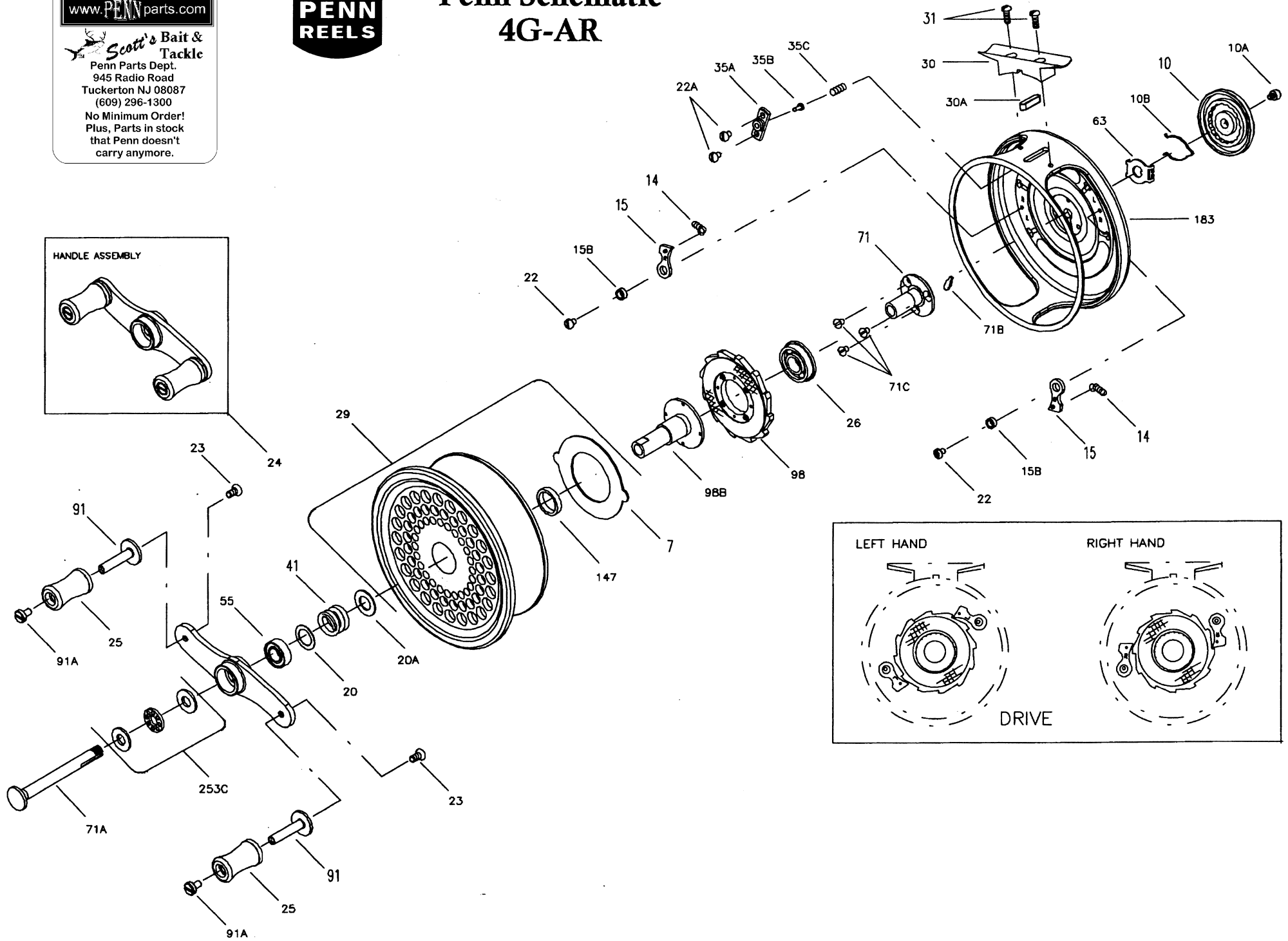
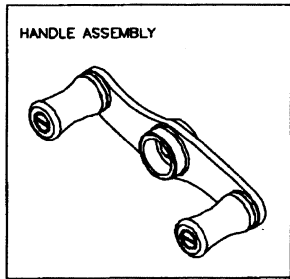
Scott's Bait & Tackle

Penn Parts Dept.
945 Radio Road
Tuckerton NJ 08087
(609) 296-1300

No Minimum Order!
Plus, Parts in stock
that Penn doesn't
carry anymore.



Penn Schematic 4G-AR



Penn Reel Parts list for:

Model: 4G-AR Fly Reel

KEY	PART		KEY	PART	
NO	NO.	DESCRIPTION	NO	NO.	DESCRIPTION
7	7-4GAR	METAL DRAG WASHER	35A	35A-2.5FR	CLICK HOUSING
10	10N-2.5FR-G	DRAG KNOB	35B	35B-2.5FR	CLICK PIN
10a	10A-2.5FR	RETAINING SCREW	35C	107-60	CLICK PIN SPRING
10b	10B-2.5FR	DETENT SPRING	41	41-4FR	DRAG COIL SPRING
14	14-500	DOG COIL SPRING (2 REQ.)	55	55-12H	BALL BEARING (OUTER)
15	15-4FR	DOG (2 REQ.)	63	63-2.5FR	SPRING RETAINER
15B	15B-2.5FR	DOG BUSHING (2 REQ.)	71	71-4GAR	SPINDLE (#4)
20	20-4FR	SPOOL THRUST WASHER	71A	71A-4GAR	SPINDLE STUD
20A	20-4GAR	SPOOL THRUST WASHER	71B	71B-2.5FR	SPINDLE LOCK KEY
22	22-2.5FR	DOG SCREW (2 REQ.)	71C	71C-2.5FR	SPINDLE SCREW (3 REQ.)
22A	22-2.5FR	CLICK HOUSING SCREW (2 REQ.)	91	91-4FR-G	HANDLE POST
23	23-2.5FR	HANDLE POST SCREW	91A	91A-2.5FR	HANDLE SCREW
24	24-4GAR	HANDLE ASSEMBLY (COMPLETE)	98	98N-4GAR	DRAG WASHER/RATCHET
25	25-4FR	HANDLE KNOB	98B	98B-4GAR	SPINDLE SLEEVE
26	26-2.5FR	FLANGE BEARING	147	147N-320	SPOOL BUSHING
29	29L-4GAR	SPOOL ASSEMBLY (COMPLETE)	183	183-4FR-G	FRAME
30	30-4FRG	STAND	253C	253C-4GAR	THRUST BEARING (COMPLETE)
30A	30A-2.5FR	STABILIZER BAR			
31	31-2.5FR	STAND SCREW (2 REQ.)			

NOTE: Many of www.pennparts.com schematics include changes that were either made by Penn, or errors found and corrected by our parts dept.