

Warranty and non-warranty service

For non-warranty service to your PENN reel, simply return the reel with a brief note describing the service you want performed. Available on the PENN website (www.pennfishing.com) is a repair form that we suggest is completed and returned with each reel for more efficient processing. PENN strives to complete all repairs in a timely manner.

PENN will not initiate service until a means of payment is arranged. Accepted means of payment include only the following credit cards: Mastercard, Visa, American Express, and Discover. COD, personal checks, or cash are not accepted.

Please visit our website www.pennfishing.com for warranty information.



Battle Fly Reel #8, #10 (Saltwater)

Instruction Manual

PENN Fishing Tackle Mfg. Co.,
Philadelphia, PA U.S.A.
www.pennfishing.com

Copyright 2020 PENN Fishing Tackle Mfg. Co.

PENN FISHING TACKLE MFG. CO.

Introduction

Congratulations on the purchase of your new PENN fly reel. Each PENN fly reel is constructed using only the highest quality components, tapping into PENN's 80-plus years of reel building experience.

Some features found on the PENN Fly Reels are highlighted throughout this manual. Also found in this manual are tips for basic maintenance and upkeep of your new fishing reel. On behalf of the entire company, PENN Fishing Tackle would like to thank you for the purchase of our quality fishing reel.

Care and Maintenance

The same method of cleaning is valid for all reels in the PENN Battle fly reel range.

1. Remove line and backing to ensure all salt deposits are removed from the arbor, particularly the screw heads.
2. Remove the spool.
3. Flush away dirt by placing the spool and frame under a stream of fresh water and remove all salt deposits to prevent corrosion. Brushing all slots, corners and indents with a soft brush.
4. Dry carefully with a lint free cloth.
5. Lubricate with a good quality oil or grease at the points illustrated in the diagrams.
6. Always ensure the spool axle threads are adequately greased.
7. Always turn the drag to the minimum setting when not in use to avoid compression of the pads and springs.
8. Always ensure the reel and line are dry before storing in the case or pouch.

Battle Fly Series Reels (Info From the Box courtesy of MysticParts.com)

PREBTL8WT (1548401) #8 Size
Fly line capacity: WF8+150 (20lb Dacron) (8wt)
Gear Ratio: 1.0:1
A/R: No Anti-Reverse
Brake: None

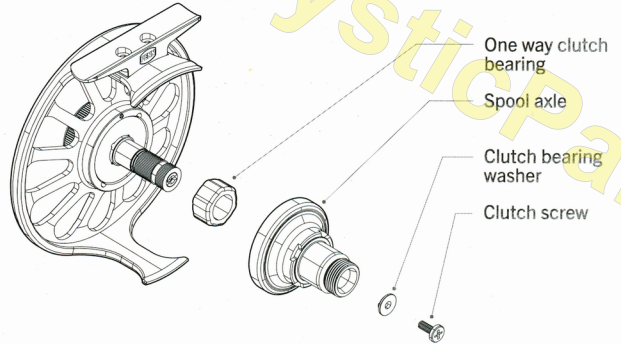
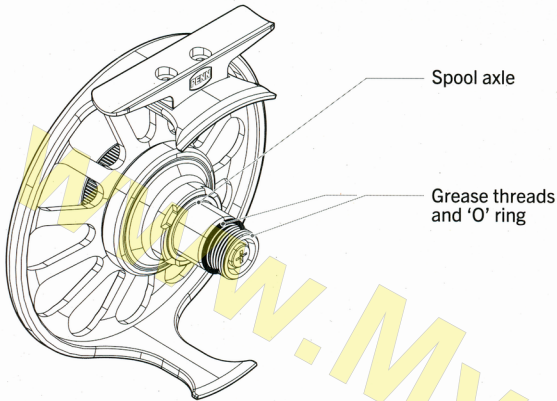
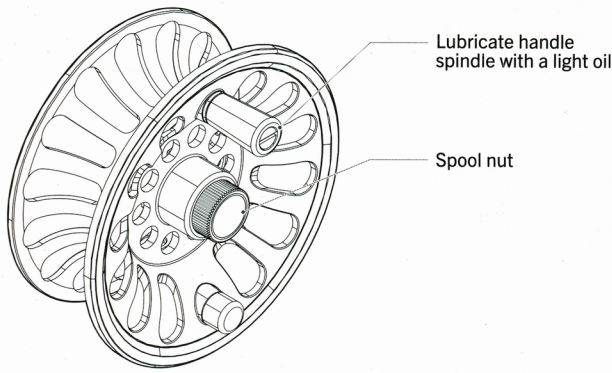
PREBTL10WT (1548402) #10 Size
Fly line capacity: WF10+200 (30lb Dacron) (10wt)
Gear Ratio: 1.0:1
A/R: No Anti-Reverse
Brake: None

Change your reel from left to right hand wind

All PENN Battle fly reels are designed to work in right or left-hand wind. When you receive your reel, it will be set for left-hand wind.

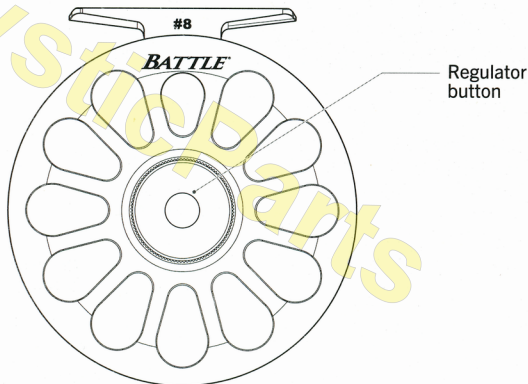
To convert your reel to right hand wind:

1. Remove spool from frame, unscrew the spool nut anti-clockwise. Set the spool and the nut aside.
2. Unscrew clutch bearing screw and washer, turn anti-clockwise and remove.
3. Remove the axle by pulling away from the frame.
4. Remove the one way bearing by pulling of the spindle.
5. Rotate the one-way clutch bearing 180 degrees and replace back on to the spindle.
6. Replace the axle and secure with the bearing screw and washer rotating screw clockwise.
7. Replace the spool. Your reel has now been converted from left to right hand.



Battle Drag System

The drag mechanism can be adjusted simply by turning the regulator button clockwise to increase the drag or anti-clockwise to decrease the drag. When the reel is not in use the drag should be set to the minimum setting.



LET THE BATTLE BEGIN™

Battle Fly Series Reel Instructions Courtesy of MysticParts.com



MYSTIC
REEL PARTS

MysticParts.com
965 Radio Road, Little Egg Harbor Twp, NJ 08087 +1 (609) 296-1300

customerservice@mysticparts.com

YOUR SOURCE
FOR PENN REEL PARTS
AND REPAIR SUPPLIES