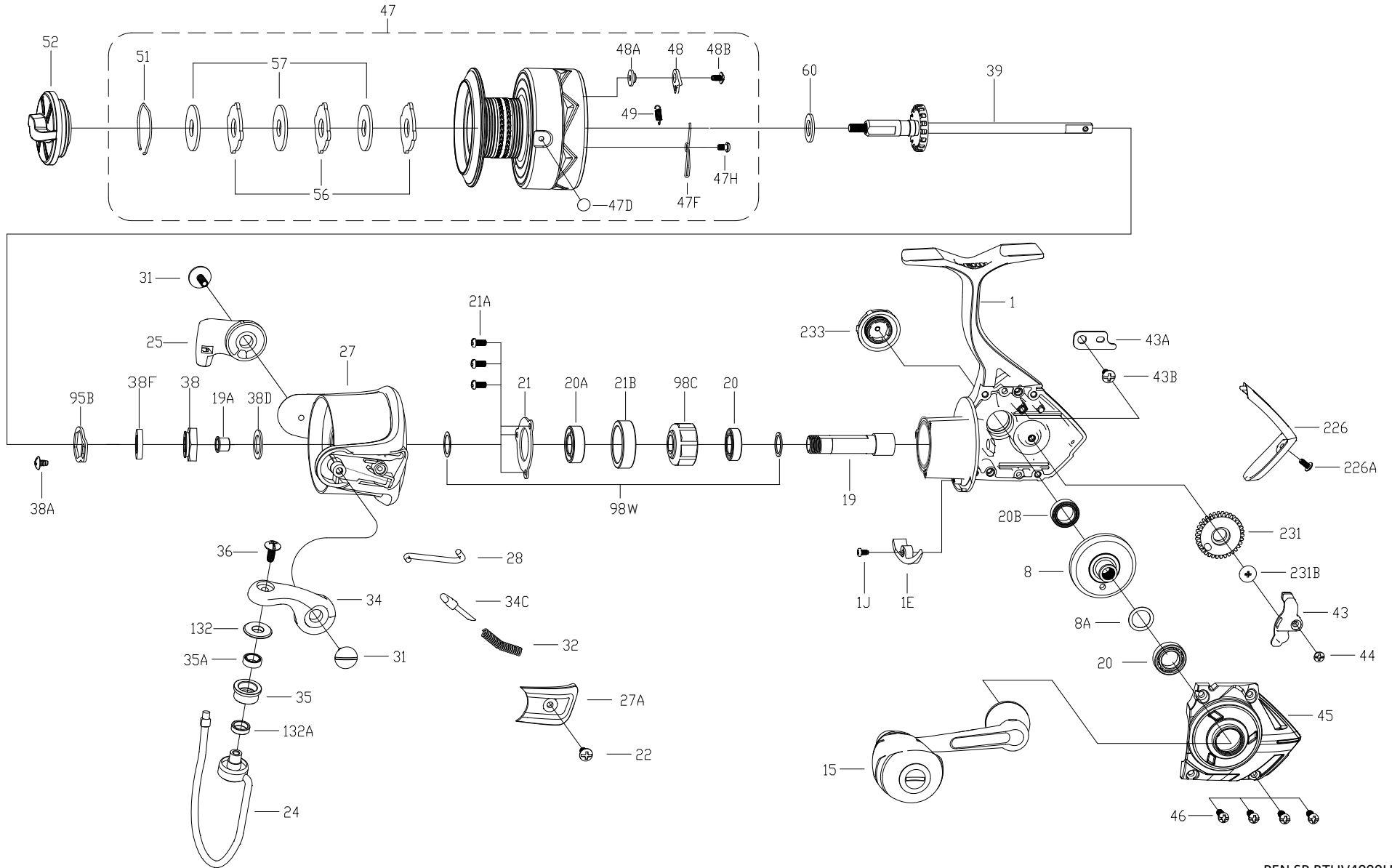




**BTLIV4000LE
EXPLODED DRAWING**





Thank you for your recent PENN gear purchase. No matter where you fish or what you fish for, you can depend PENN to perform in any battle day in and day out. Now it's time to get your product registered and get out on the water.

<https://register.pennfishing.com>

KEY NO.	PART NO.	PENN STYLE NO.	DESCRIPTION	KEY NO.	PART NO.	PENN STYLE NO.	DESCRIPTION	KEY NO.	PART NO.	PENN STYLE NO.	DESCRIPTION
1	1632229	1-BTLIV4000LE	Housing	32	1191586	32-3000SG	Bail Spring	48	1211604	48-3000SG	Click Tongue
1E	1489173	1E-SSVI3500	Housing Slope	34	1609391	34-WRTHIII3000	Bail Arm	48A	1214226	48A-3000SG	Click Tongue Washer
1J	1489177	1J-SSVI3500	Housing Slope Screw	34C	1489198	34C-SSVI3500	Pivot Arm	48B	1489220	48B-SSVI3500	Spool Click Screw
8	1529181	8-BTLIII3000	Main Gear	35	1489199	35-SSVI3500	Line Roller	49	1211605	49-3000SG	Click Tongue Spring
8A	1191028	8A-3000SG	Shim	35A	1489200	35A-SSVI3500	Roller Bearing	51	1308078	51-CFT3000	Drag Retaining Ring
15	1632379	15-BTLIV3000LE	Handle Assembly	36	1191699	36-3000SG	Bail Stud Screw	52	1632227	52-BTLIV4000	Drag Knob Assembly
19	1529183	19-BTLIII3000	Pinion Gear	38	1632370	38-BTLIV3000	Rotor Nut	56	1308080	56-CFT3000	Drag Washer (3 req)
19A	1191252	19A-3000SG	Pinion Bushing	38A	1308069	38A-CFT3000	Rotor Locking Plate Screw	57	1192043	57-3000SG	Keyed Washer (3 req)
20	1308050	20-CFT3000	Ball Bearing (2 req)	38D	1308070	38D-CFT3000	Rotor Nut Washer	60	1529383	60-BTLIII3000	Thrust Washer
20A	1308051	20A-CFT3000	Upper Pinion Ball Bearing	38F	1632375	38F-BTLIV3000	Main Shaft Seal Ring	95B	1308081	95B-CFT3000	Rotor Locking Plate
20B	1211610	20D-5000BTL	Housing Ball Bearing	39	1529397	39-BTLIII4000	Main Shaft Assembly	98C	1308082	98C-CFT3000	Clutch/Sleeve Assembly
21	1308052	21-CFT3000	Bearing Retainer	43	1485219	43-PURIII3000	Crosswind Block	98W	1204004	98W-3000PUR	Clutch Washer (2 req)
21A	1192644	21A-3000SG	Retainer Screw (3 req)	43A	1191818	43A-3000SG	Crosswind Block Plate	132	1529384	132-BTLIII3000	Roller Washer
21B	1308053	21B-CFT3000	Collar	43B	1489213	43B-SSVI3500	Plate Screw	132A	1489225	132A-SSVI3500	Line Roller Bushing
22	1203997	43B-3000PUR	Bail Pivot Cover Screw	44	1191843	44-3000SG	Crosswind Block Screw	226	1632374	226-BTLIV3000	Rear Cover
24	1529396	24-BTLIII4000	Bail Wire Assembly	45	1632371	45-BTLIV3000	Housing Cover	226A	1529386	226A-BTLIII3000	Rear Cover Screw
25	1529185	25-BTLIII3000	Bail Holder	46	1192645	21A-5000SG	Cover Screw (4 req)	231	1485227	231-PURIII4000	Crosswind Gear
27	1632224	27-BTLIV4000	Rotor	47	1632226	47-BTLIV4000	Spool Assembly	231B	1489230	231B-SSVI3500	Crosswind Gear Screw
27A	1632225	27A-BTLIV4000	Bail Pivot Cover	47D	1489217	47D-SSVI3500	Line Clip	233	1632346	233-BTLIV1000	Bearing Cover Assy
28	1529403	28-BTLIII4000	Trip Lever	47F	1489218	47F-SSVI3500	Line Clip Spring				
31	1308063	31-CFT3000	Bail Arm Screw (2 req)	47H	1489219	47H-SSVI3500	Line Clip Spring Screw				