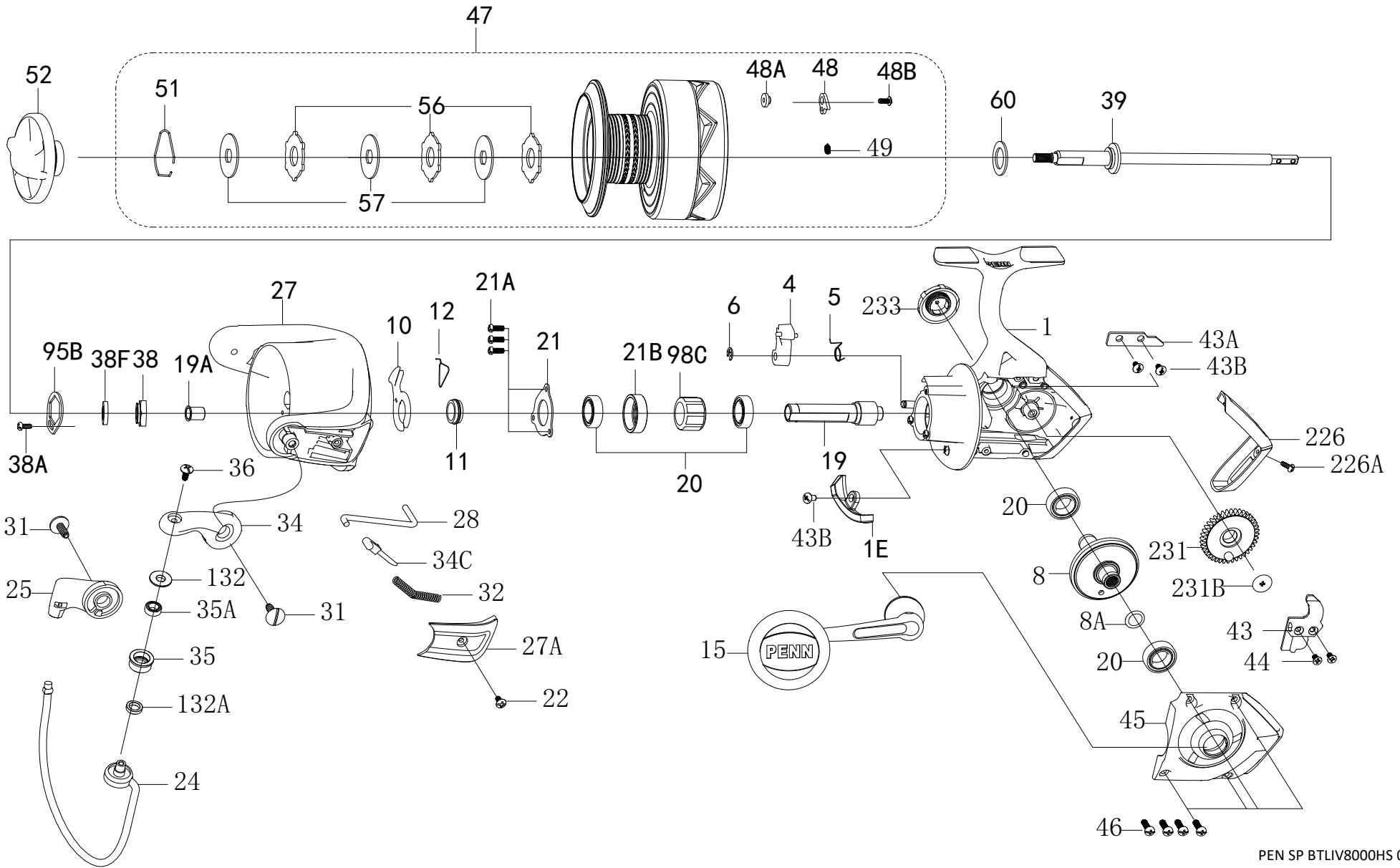
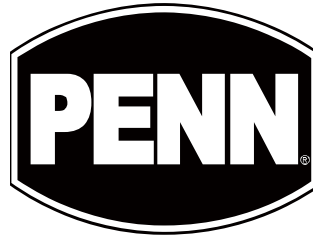




**BTLIV8000HS
EXPLODED DRAWING**





Thank you for your recent PENN gear purchase. No matter where you fish or what you fish for, you can depend PENN to perform in any battle day in and day out. Now it's time to get your product registered and get out on the water.

<https://register.pennfishing.com>

KEY NO.	PART NO.	PENN STYLE NO.	DESCRIPTION
1	1632276	1-BTLIV8000HS	Housing Assembly
1E	1529526	1E-BTLIII8000	Housing Slope
4	1190939	4-7000SG	A/R Dog
5	1190966	5-5000SG	Dog Spring
6	1190979	6-5000SG	Retaining Clip
8	1529549	8-BTLIII8000HS	Main Gear
8A	1191031	8A-7000SG	Shim
10	1313864	10-CFT8000	A/R Holder
11	1529528	11-BTLIII8000	Bushing
12	1313865	12-CFT8000	A/R Bushing Spring
15	1632277	15-BTLIV8000HS	Handle Assembly
19	1529551	19-BTLIII8000HS	Pinion Gear
19A	1489299	19A-SSVI7500	BUSHING
20	1489300	20-SSVI7500	Ball Bearing (4 req)
21	1192636	21-5000SG	Bearing Retainer
21A	1192645	21A-5000SG	Retainer Screw (3 req)
21B	1529531	21B-BTLIII8000	Collar
22	1204018	22-6000PUR	Screw
24	1529532	24-BTLIII8000	Bail Wire Assembly
25	1529533	25-BTLIII8000	Bail Holder

KEY NO.	PART NO.	PENN STYLE NO.	DESCRIPTION
27	1632267	27-BTLIV8000	Rotor
27A	1632268	27A-BTLIV8000	Bail Pivot Cover
28	1529536	28-BTLIII8000	Trip Lever
31	1365758	31-FRCII8000	Bail Arm Screw (2 req)
32	1313874	32-CFT8000	Bail Spring
34	1313875	34-CFT8000	Bail Arm
34C	1529537	34C-BTLIII8000	Pivot Arm
35	1529538	35-BTLIII8000	Line Roller
35A	1242222	35A-5000BTL	Bearing
36	1191699	36-3000SG	Stud Screw
38	1632269	38-BTLIV8000	Rotor Nut
38A	1204016	21A-5000PUR	Screw
38F	1632270	38F-BTLIV8000	Main Shaft Seal Ring
39	1529540	39-BTLIII8000	Main Shaft Assembly
43	1529541	43-BTLIII8000	Crosswind Block
43A	1489323	43A-SSVI7500	Crosswind Block Plate
43B	1489213	43B-SSVI3500	Plate Screw (3 req)
44	1191845	44-5000SG	Block Screw (2 req)
45	1632271	45-BTLIV8000	Housing Cover
46	1191903	46-5000SG	Cover Screw (4 req)

KEY NO.	PART NO.	PENN STYLE NO.	DESCRIPTION
47	1632278	47-BTLIV8000HS	Spool Assembly
48	1211625	48-5000SG	Click Tongue
48A	1211626	48A-5000SG	Click Tongue Washer
48B	1489327	48B-SSVI7500	Spool Click Screw
49	1211627	49-5000SG	Click Tongue Spring
51	1308112	51-CFT5000	Drag Retaining Ring
52	1632273	52-BTLIV8000	Drag Knob Assembly
56	1313883	56-CFT8000	Drag Washer (3 req)
57	1211646	57-7000BTL	Keyed Washer (3 req)
60	1489320	39A-SSVI7500	Thrust Washer
95B	1308115	95B-CFT5000	Rotor Locking Plate
98C	1489332	98C-SSVI7500	Clutch/Sleeve Assembly
132	1529545	132-BTLIII8000	Roller Washer
132A	1489334	132A-SSVI7500	Line Roller Washer
226	1632274	226-BTLIV8000	Rear Cover
226A	1529386	226A-BTLIII3000	Rear Cover Screw
231	1529547	231-BTLIII8000	Crosswind Gear
231B	1489338	231B-SSVI7500	Screw Crosswind Gear
233	1632245	233-BTLIV5000	Bearing Cover Assembly